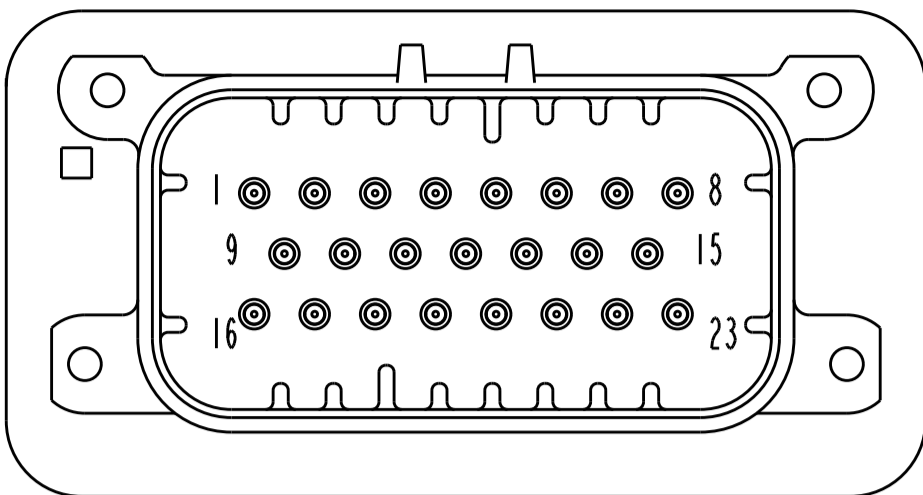
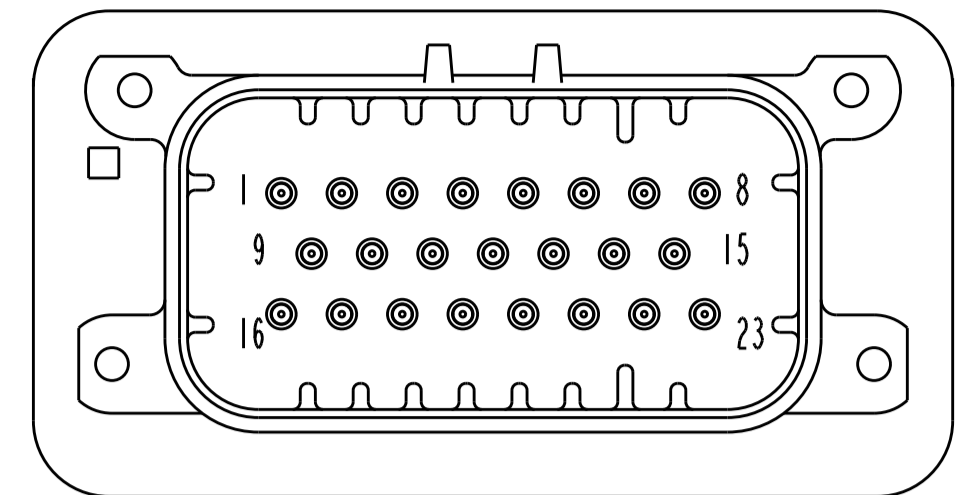


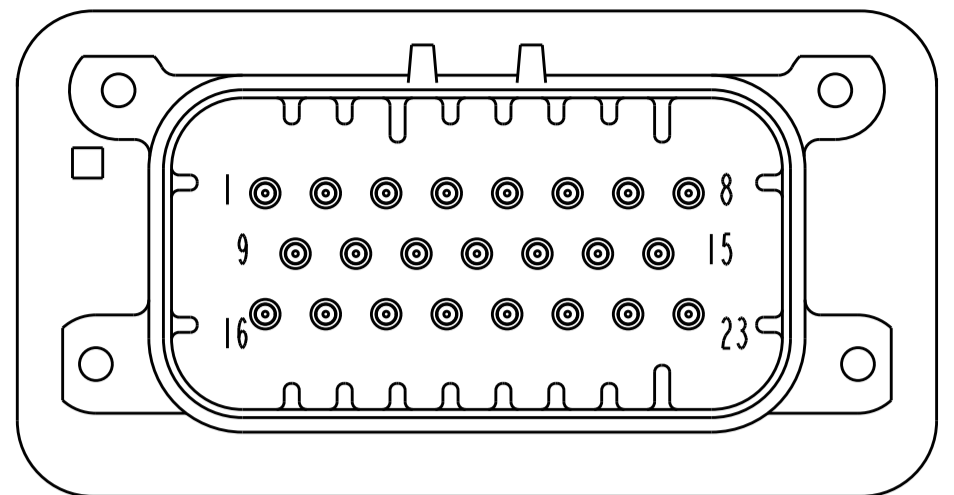
REVISIONS				
P.	LTR.	DESCRIPTION	DATE	APPV.
K8		REVISED PER ECO-13-019565	12DEC2013	DD DS
K9		REVISED PER ECO-15-000100	22JAN2015	DD DS
K10		REVISED PER ECO-15-003872	25MAR2015	DD DS
K11		REVISED PER ECO-16-003526	09MAR2016	JM DS



770669-2 & 1-770669-2
KEY LOCATION
SCALE 2:1

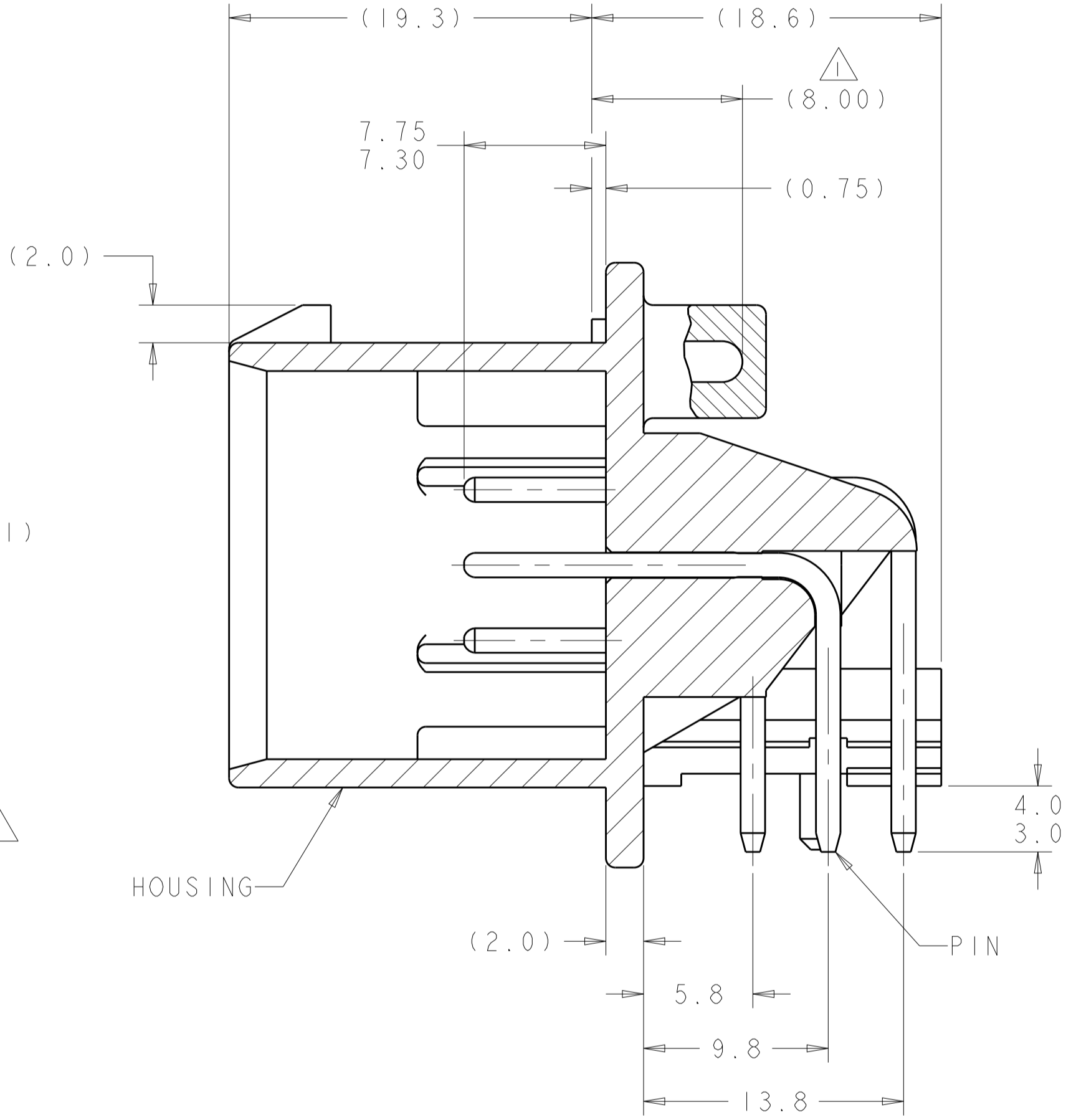
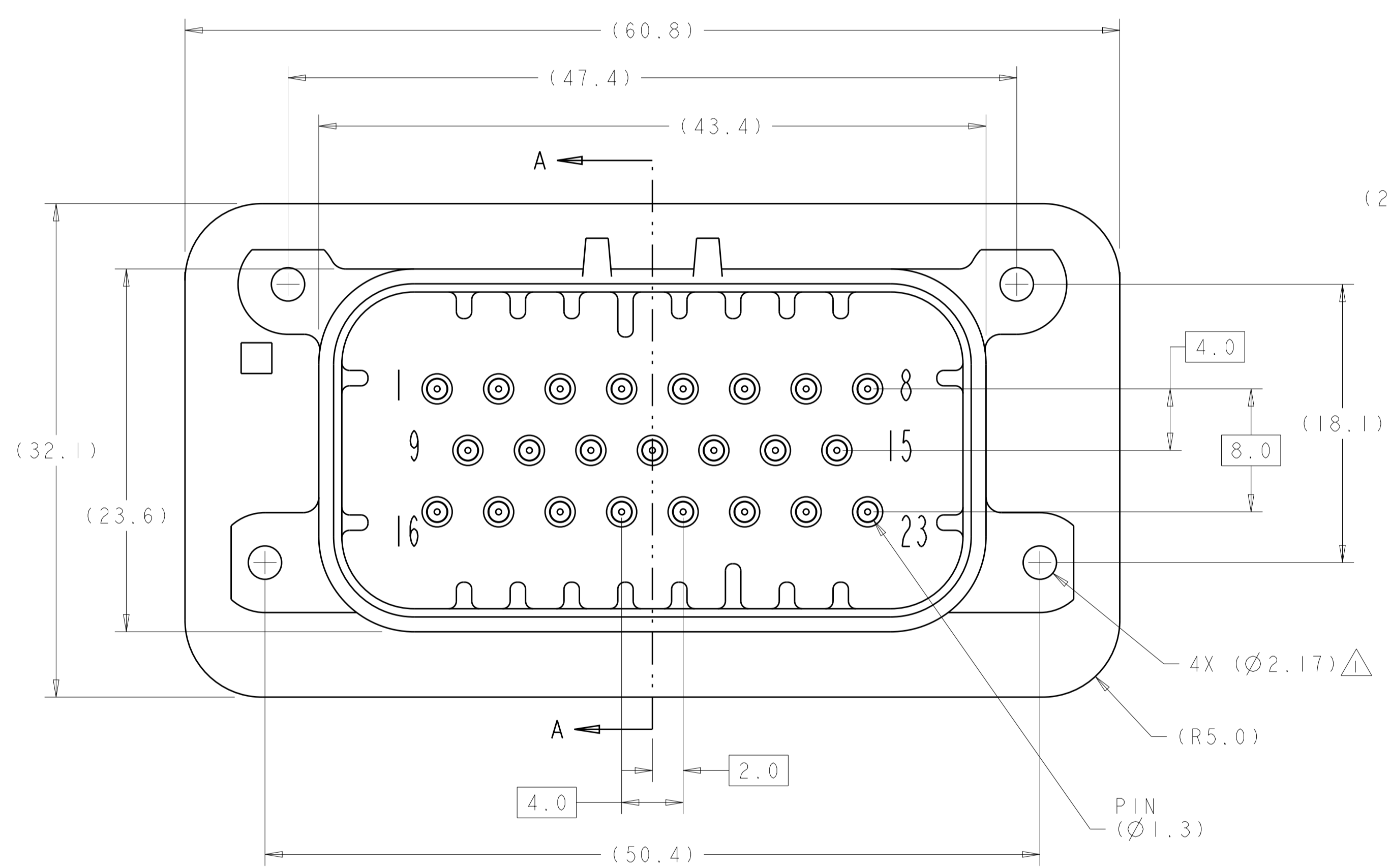


770669-4 & 1-770669-4
KEY LOCATION
SCALE 2:1

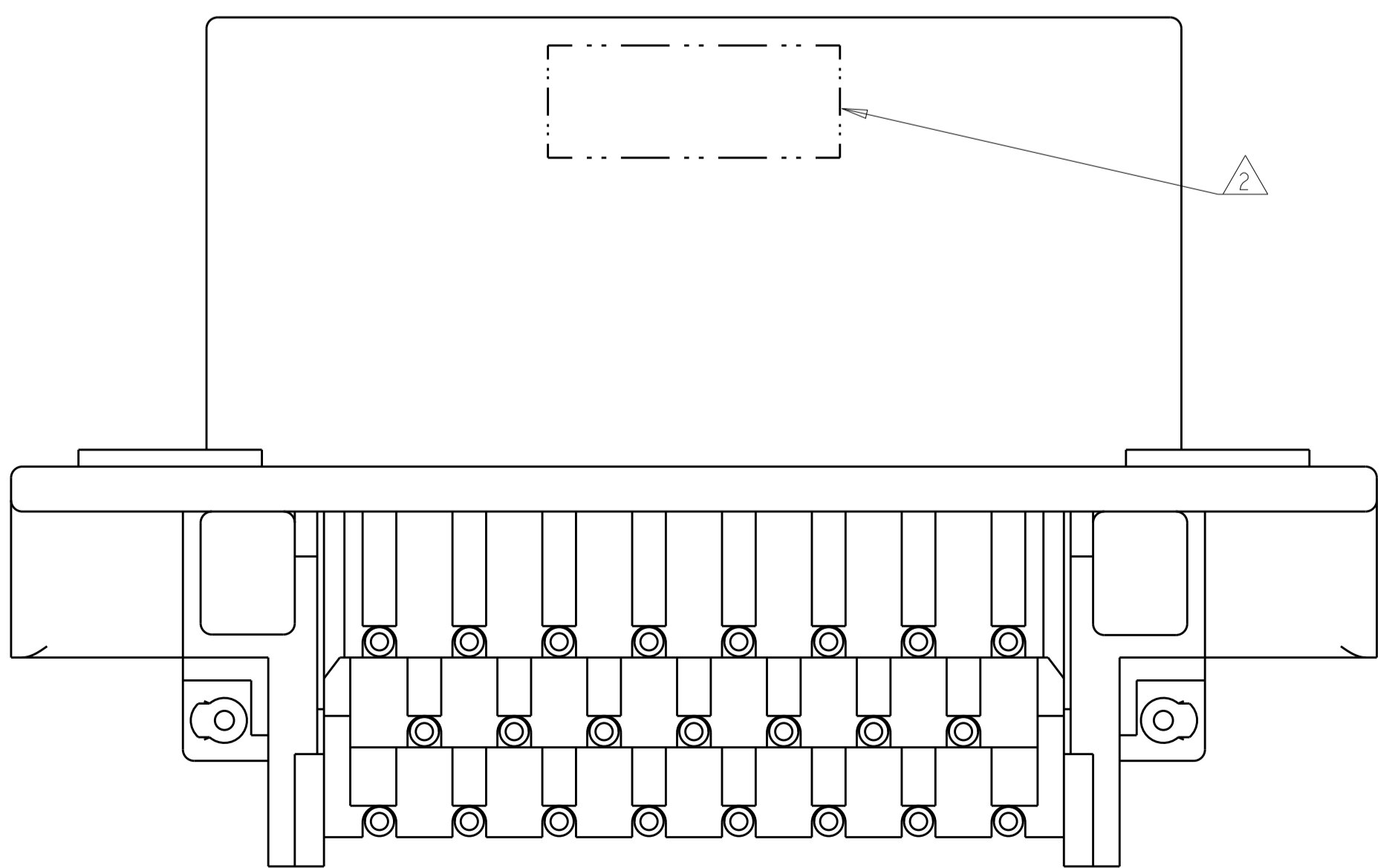


770669-5 & 1-770669-5
KEY LOCATION
SCALE 2:1

- 1 ACCEPTS #3 SELF TAPPING THREAD FORMING SCREWS OR METRIC EQUIVALENT. DRIVE TO 0.6-0.8 N-m.
- 2 DATE CODE TO BE BRANDED IN THIS LOCATION PER TE SPEC 102-60 USE 5 DIGIT CODE: FIRST 2 DIGITS = YEAR, SECOND 2 DIGITS = WEEK LAST DIGIT = DAY
- 3 HOUSING COLORS ARE MECHANICALLY KEYPED TO MATE ONLY WITH IDENTICALLY COLORED PLUG ASSEMBLIES.
- 4 MATERIALS: HEADER HOUSING - GLASS FILLED PBT
PINS: TIN OR GOLD PLATED BRASS
- 5. HEADER MATES TO PLUG ASSEMBLY 770680 WHICH USES REELED TERMINALS 770520 OR LOOSE PIECE TERMINALS 770854



SECTION A-A

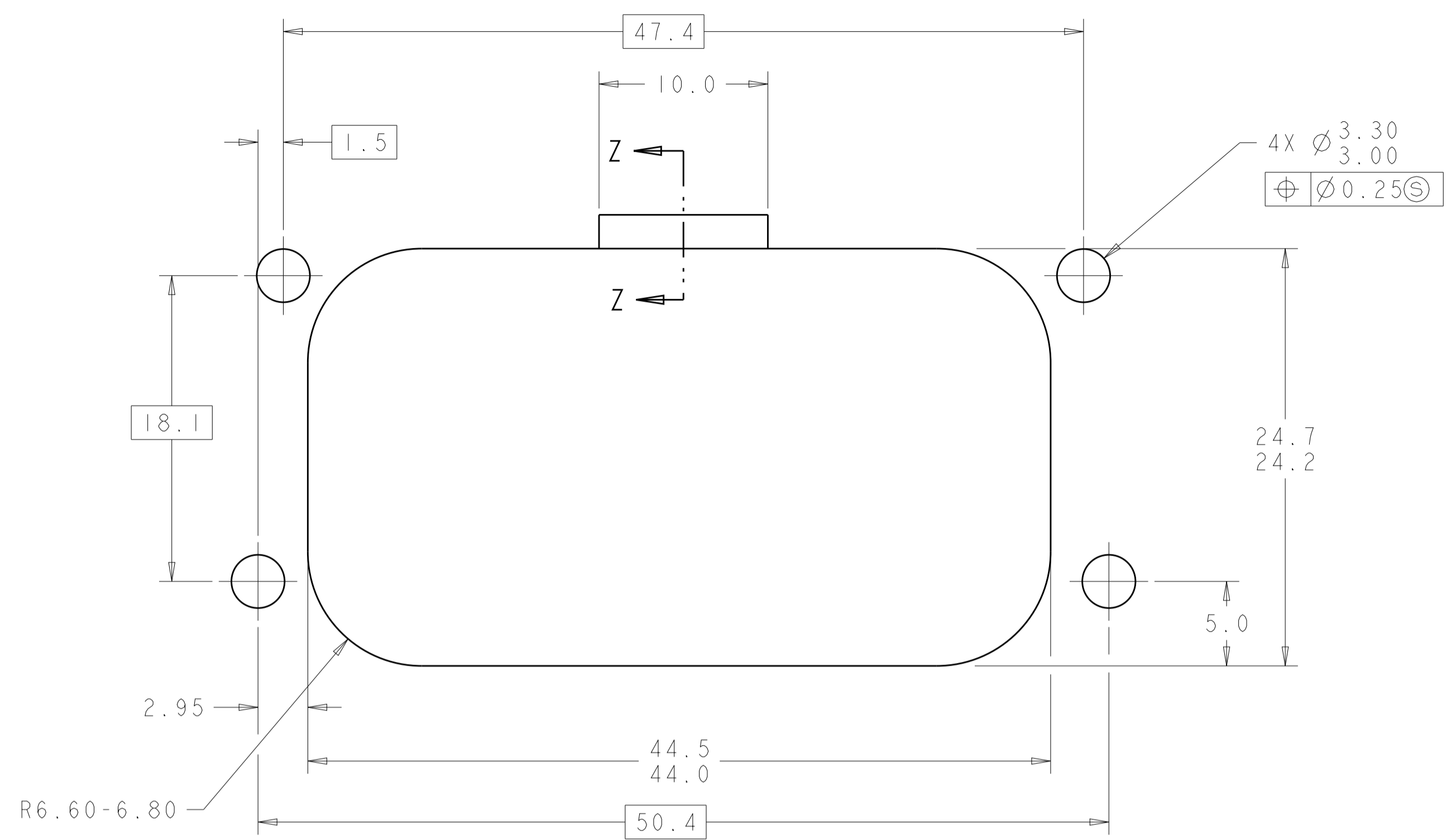


770669-1 & 1-770669-1
KEY LOCATION AS SHOWN

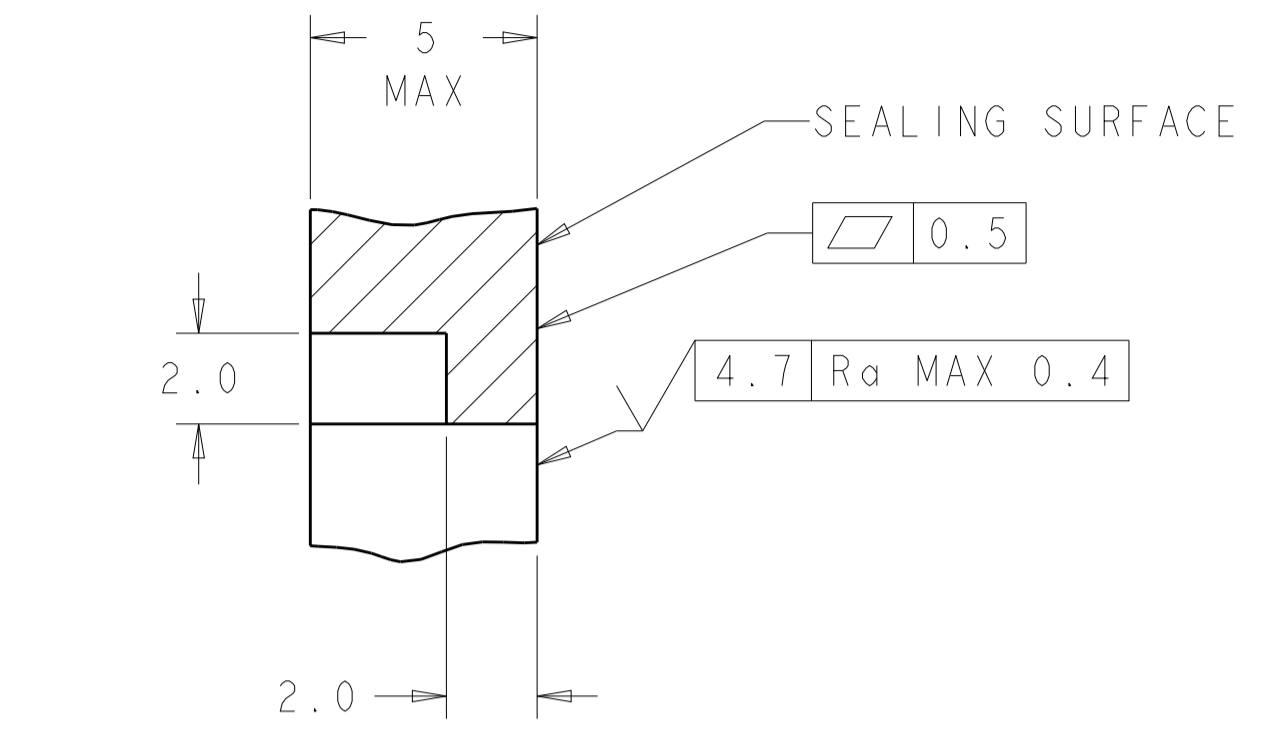
DURAGOLD	BLUE	1-770669-5
DURAGOLD	GRAY	1-770669-4
DURAGOLD	NATURAL	1-770669-2
DURAGOLD	BLACK	1-770669-1
TIN	BLUE	770669-5
TIN	GRAY	770669-4
TIN	NATURAL	770669-2
TIN	BLACK	770669-1
PLATING	HEADER COLOR/3	PART NUMBER

THIS DRAWING IS A CONTROLLED DOCUMENT.		OWN: R. VESTAL 31DEC2002	TE Connectivity NAME: HEADER ASSEMBLY, 23 POSITION, RIGHT ANGLE AMPSEAL
DIMENSIONS: mm		CHK: D. CROWE 31DEC2002	
TOLERANCES UNLESS OTHERWISE SPECIFIED:		APPV: D. CROWE 31DEC2002	SIZE: CAGE CODE DRAWING NO. RESTRICTED TO
0 PLC ±0.2	1 PLC ±0.2	PRODUCT SPEC 108-1329	A100779C=770669
2 PLC ±0.2	3 PLC ±0.2	APPLICATION SPEC 114-16016	SCALE 2:1 SHEET 1 OF 2 REV K11
4 PLC ±0.2	ANGLES ±0.5	WEIGHT	CUSTOMER DRAWING
MATERIAL	FINISH		

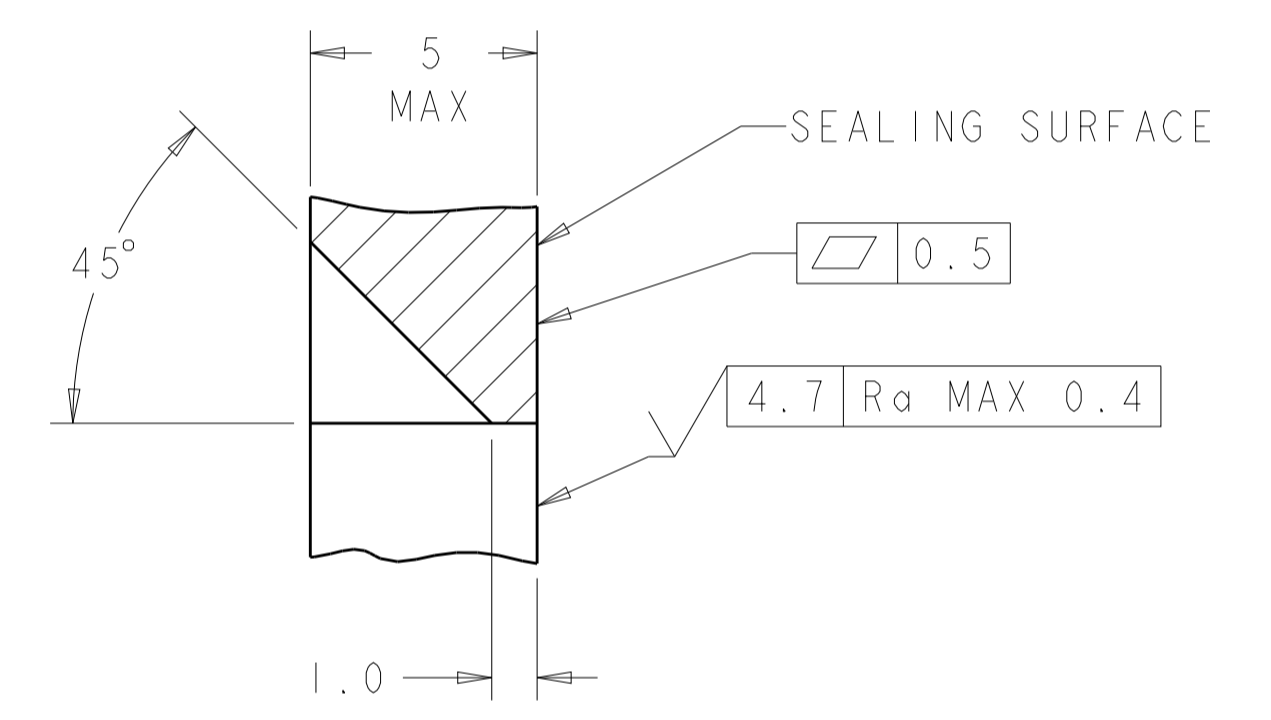
REVISIONS				
P.	LTN.	DESCRIPTION	DATE	APVD.
-	-	SEE SHEET 1	-	-



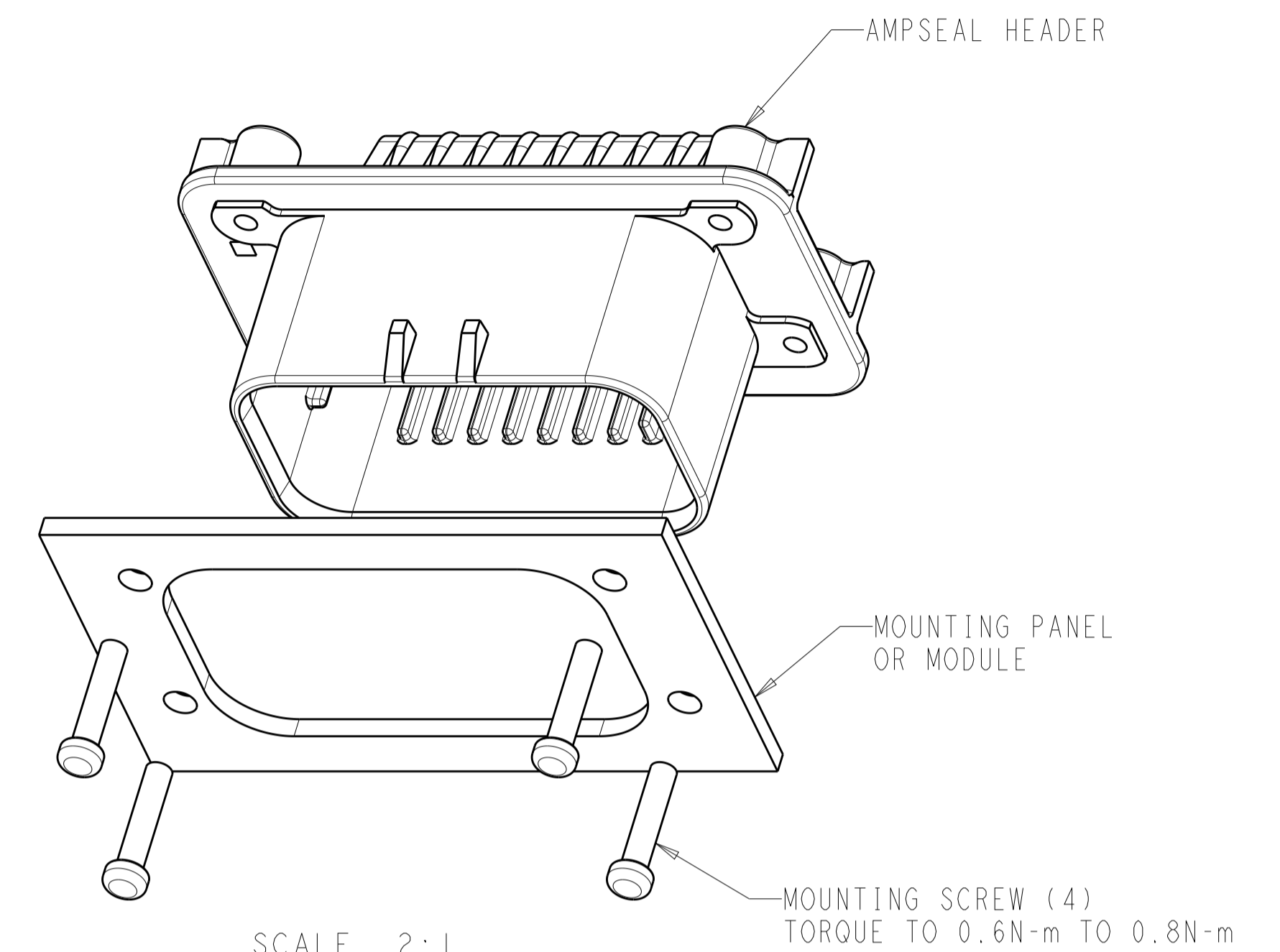
RECOMMENDED MOUNTING HOLE LAYOUT FOR 5.0 MAX THICK PANEL



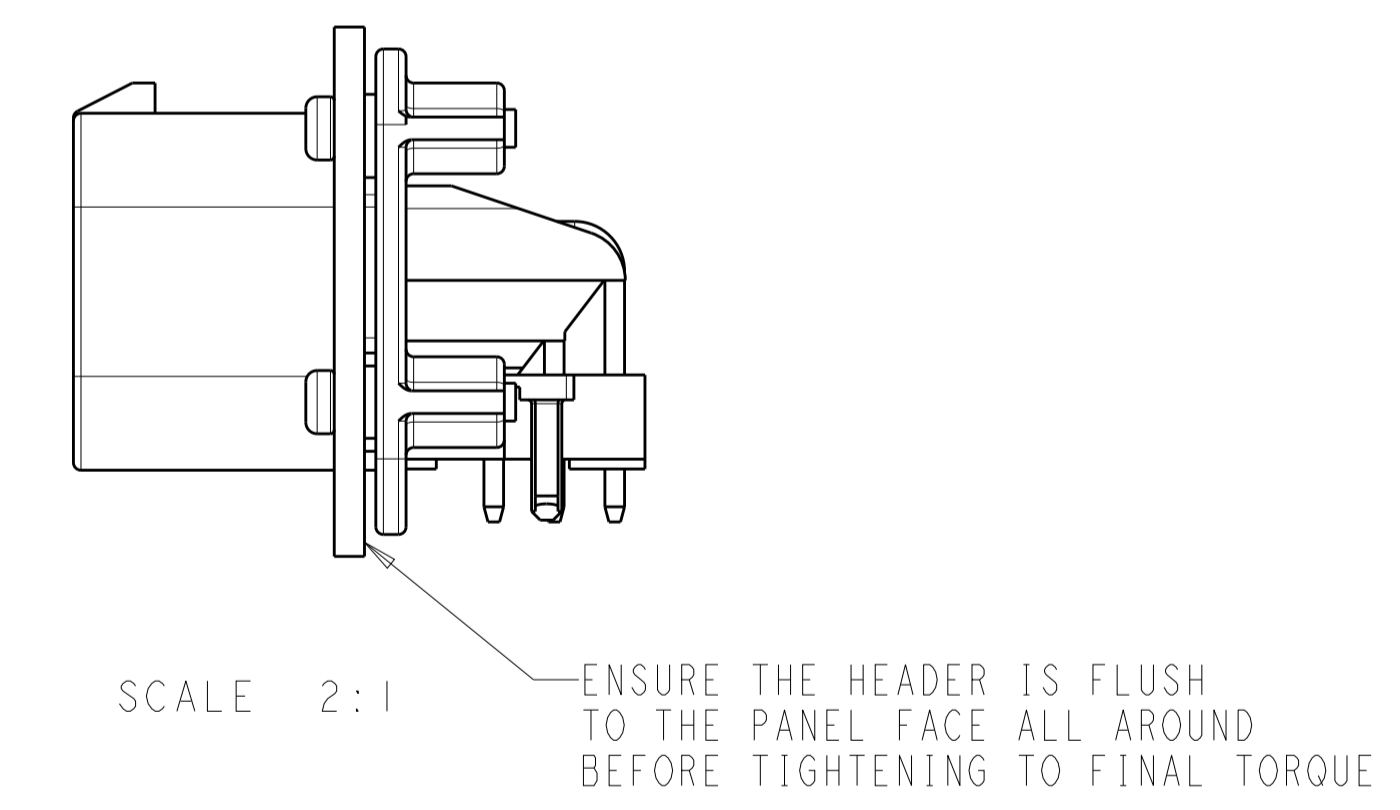
SECTION Z-Z
 OPTIONAL CONSTRUCTION IF THICKNESS IS GREATER THAN 2.0
 SCALE 6:1



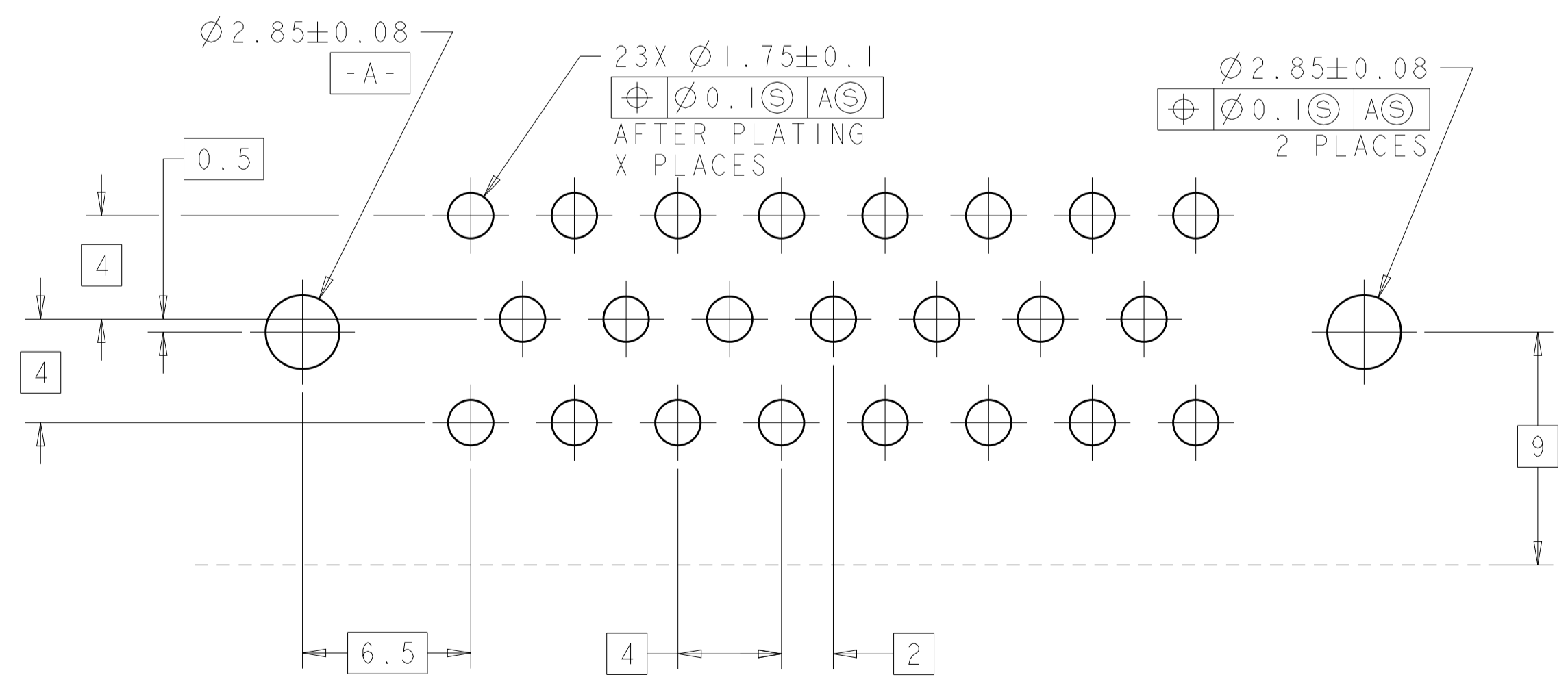
SECTION Z-Z
 OPTIONAL CONSTRUCTION IF THICKNESS IS GREATER THAN 2.0
 SCALE 6:1



SCALE 2:1



SCALE 2:1



RECOMMENDED P.C. BOARD LAYOUT FOR 1.57 THICK P.C. BOARD

THIS DRAWING IS A CONTROLLED DOCUMENT.		DWN: R. VESTAL 31DEC2002	TE Connectivity
DIMENSIONS: mm		CHK: D. CROWE 31DEC2002	
TOLERANCES UNLESS OTHERWISE SPECIFIED:		APVD: D. CROWE 31DEC2002	NAME: HEADER ASSEMBLY, 23 POSITION, RIGHT ANGLE AMPSEAL
0 PLC	±	PRODUCT SPEC	SIZE: CAGE CODE DRAWING NO. RESTRICTED TO
1 PLC	±0.2	108-1329	A100779C=770669
2 PLC	±	APPLICATION SPEC	SCALE 2:1 SHEET 2 OF 2 REV K11
3 PLC	±	114-16016	
4 PLC	±	WEIGHT	
ANGLES	±	CUSTOMER DRAWING	
FINISH	±		